



TJERNLUND PRODUCTS, INC.

1601 Ninth Street • White Bear Lake, MN 55110-6794
PHONE (800) 255-4208 • (651) 426-2993 • FAX (651) 426-9547
Visit our web site • www.tjernlund.com

MODEL DH10 DEHUMIDISTAT



READ OWNERS INSTRUCTIONS CAREFULLY PRIOR TO INSTALLATION. THESE INSTRUCTIONS MUST REMAIN WITH EQUIPMENT. DO NOT DESTROY.

DESCRIPTION & SPECIFICATIONS

The Tjernlund DH10 Dehumidistat is suitable as a replacement dehumidistat in our V-Series Crawl Space Ventilator fans or for controlling fans or louvers with a load of less than 10 amps. Operating range is 20% - 80% RH.

Dehumidistat: OFF/ON or 20% - 80 % RH Operating Range

Load Rating: 10 amps @ 115 VAC

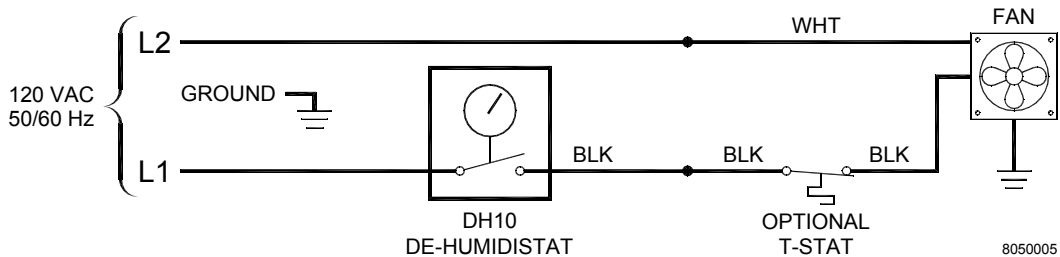
INSTALLATION

WARNING

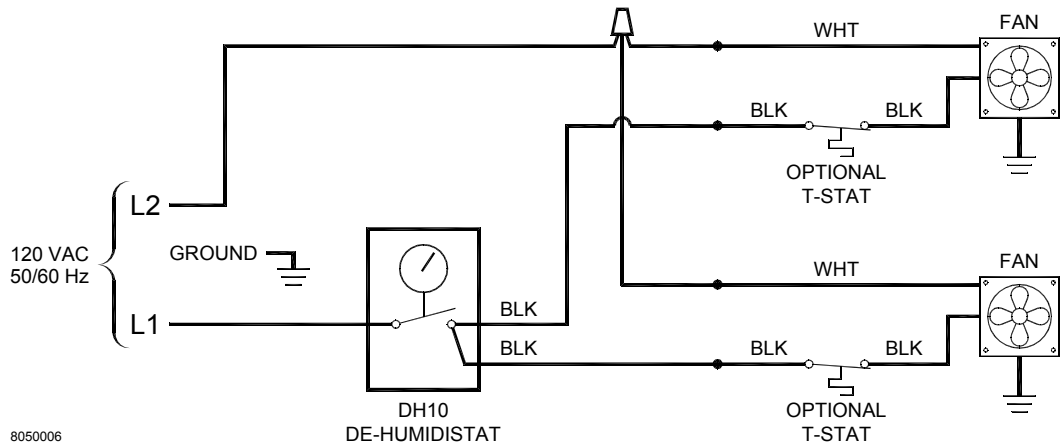
The DH10 Dehumidistat must be installed by a qualified installer in accordance with these instructions and all local codes or in their absence in accordance with the latest editions of the International Residential Code and International Electrical Code. Improper installation can create a hazardous condition such as fire, electric shock or personal injury. To reduce these risks significantly, use this unit only in the manner intended by the manufacturer. If you have questions, contact Tjernlund Products. Always disconnect all power to the dehumidistat and its loads before installation and servicing.

WIRING

WIRING A SINGLE FAN / LOUVER WITH DH10 (MAX. LOAD 10 AMPS @ 115 VAC)



WIRING MULTIPLE FANS / LOUVERS WITH DH10 (MAX. COMBINED LOAD 10 AMPS @ 115 VAC)



WARRANTY

Tjernlund Products, Inc. warrants to the original purchaser of this product that the product will be free from defects due to faulty material or workmanship for a period of (1) year from the date of original purchase or delivery to the original purchaser, whichever is earlier.