



TJERNLUND PRODUCTS, INC.

1601 Ninth Street • White Bear Lake, MN 55110-6794
PHONE (800) 255-4208 • (651) 426-2993 • FAX (651) 426-9547
Visit our web site • www.tjernlund.com

IN-FORCER™ MODELS
PAI-1G & PAI-2G
PAI-10 & PAI-20



INSTALLATION INSTRUCTIONS

OWNER'S INSTRUCTIONS, DO NOT DESTROY

**THIS DEVICE MUST BE INSTALLED BY A
QUALIFIED PERSON.**

**READ INSTRUCTIONS CAREFULLY PRIOR TO INSTALLATION
AND OPERATION OF THE AIR INTAKE SYSTEM.**

TABLE OF CONTENTS

Descriptions and Specifications	1
Installation Restrictions.....	2
Cautions	2
Safety Inspection of a Previously Used Appliance	2-3
IN-FORCER Terminology	3
Intake Elbow Termination Clearances	3
Combustion CFM Necessary For Appliance(s)	4
Determining IN-FORCER CFM capabilities	4
Installation	
Tools Required	4
Cutting PVC Opening through Wall.....	4-5
IN-FORCER Installation	5-6
Installation of Pipe	6-7
Confined Space or Closet Installations	7
Installation of Intake Elbow.....	7
Electrical Wiring	
Wiring IN-FORCER Models PAI-10 & PAI-20	8-10
Wiring IN-FORCER Models PAI-1G & PAI-2G	10-13
Wiring IN-FORCER PAI-G Series With a 24V Furnace/Boiler and Millivolt Water Heater	11
Wiring IN-FORCER Models PAI-1G & PAI-2G With Single Zone Gas or Oil Terminal Strip/Fan Center.....	13
System Operation Check Out.....	13
Maintenance	13
Trouble Shooting	
IN-FORCER Models PAI-10 & PAI-20.....	14
IN-FORCER Models PAI-1G & PAI-2G.....	15-16
How to Obtain Service & Warranty	16-17
Replacement Parts List & Isometric IN-FORCER Diagram	17
PVC Hole Template	18

IN-FORCER™ is a trademark of Tjernlund Products, Inc. for IN-FORCER air intakes.

DESCRIPTION

The IN-FORCER combustion fans are mechanical air intake fans designed and Listed for use with atmospheric or induced combustion natural draft gas or oil heating equipment. The IN-FORCER functions as a source of combustion air. Outside intake air is blended with a larger quantity of indoor air so the resulting tempered discharge does not reflect outside temperature extremes. The IN-FORCER assures intake air is supplied by monitoring the airflow with a Fan Proving Switch. The main burner will be interrupted if a malfunction occurs.

APPLICATION TABLE

Verify that the total BTU/hr input of the heating appliance(s) fall within the ratings listed below. Check CFM necessary for the BTU/hr input of the heating appliance(s) on table 1, page 4. CFM delivered depends upon the total length of pipe used. Check CFM capacity with different inlet and outlet pipe lengths on page 4, Table 2 PAI-1 Series or Table 3 PAI-2 Series.

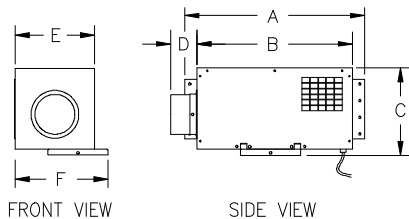
IN-FORCER MODEL	ATMOSPHERIC GAS	INDUCED COMBUSTION GAS	FLAME RETENTION OIL BURNER
PAI-1G	UP TO 110,000 BTU/HR	UP TO 210,000 BTU/HR	—
PAI-2G	UP TO 150,000 BTU/HR	UP TO 290,000 BTU/HR	—
PAI-10	—	—	UP TO 190,000 BTU/HR
PAI-20	—	—	UP TO 260,000 BTU/HR

SPECIFICATIONS

Motor: 115/1/60, 1600 RPM, 80 watts, 1.0 FLA

Fan Prover: Non-adjustable, contacts rated for 3 Amps Inductive @ 120VAC

Relay: 24/115V Switching Relay, PAI-1G & PAI-2G



A	B	C	D	E	F
17 3/4"	15 5/8"	8 7/8"	2 5/8"	8"	9 3/8"

GENERAL INFORMATION

These units have been factory tested and rated in accordance with AMCA standard 210, test code for air moving devices.

Each IN-FORCER is electrically factory line tested before shipment.

After opening carton, inspect thoroughly for hidden damage. Fan wheel should rotate freely. If any damage is found, notify freight carrier and your distributor immediately and file a concealed damage claim.

INSTALLATION RESTRICTIONS

1. The electrical load controlled through the Fan Proving Switch must not exceed its nameplate ratings.
2. Observe proper location of intake elbow as described on page 3.

WARNING: Improper installation, adjustment, alterations, service or maintenance can cause injury or property damage. Refer to this manual. For assistance or additional information consult a qualified installer, service agency or the equipment supplier.

CAUTIONS

1. Failure to install, maintain and/or operate the IN-FORCER in accordance with manufacturer's instructions may result in conditions that can produce bodily injury and property damage.
2. The IN-FORCER must be installed by a qualified installer (an individual properly licensed and/or trained) in accordance with all local codes or in their absence, in accordance with the appropriate National Fire Protection Association #31, #54, #211 and the National Electric Code.
3. The IN-FORCER motor shaft must be mounted horizontally and with discharge facing down to prevent motor bearing wear and ensure proper operation of the Fan Proving Switch.
4. The IN-FORCER must be installed level to ensure proper damper operation.
5. Disconnect power supply when making wire connections and servicing the IN-FORCER. Failure to do so may result in personal injury and/or equipment damage.
6. Make certain the power source is adequate for the IN-FORCER requirements. Do not add the IN-FORCER to a circuit where the total electrical load is unknown.

WARNING: The IN-FORCER CFM outputs are estimates that will assure adequate combustion air is supplied if the appliance is functioning properly. However, in the event that there is an appliance malfunction, such as a cracked heat exchanger or clogged flue, there is no guarantee that additional combustion air will eliminate carbon monoxide spillage into the home.

SAFETY INSPECTION OF A PREVIOUSLY USED OIL APPLIANCE (Perform prior to IN-FORCER installation)

The following procedure is intended as a guide to aid in determining that an appliance is properly installed and is in safe condition for continuing use. This procedure is based on central furnace and boiler installations and it should be recognized that generalized procedures cannot anticipate all situations. Accordingly, in some cases deviation from this procedure may be necessary to determine safe operation of the equipment.

- A. This procedure should be performed prior to any attempt at modifications of the appliance or installation of the IN-FORCER.
- B. If it is determined there is a condition which could result in unsafe operation, the appliance should be shut off and the owner advised of the unsafe condition.

The following steps should be followed in making the safety inspection:

1. Visually inspect the venting system and determine there is no blockage or restriction, leakage, corrosion or other deficiencies which could cause an unsafe condition.
2. Inspect burner and primary control for proper operation.
3. Applicable only to furnaces: Inspect heat exchanger for cracks, openings or excessive corrosion. Check both the limit control and fan control for proper operation.
4. Applicable only to boilers: Inspect for evidence of water or combustion product leaks. Determine that the water pumps are in operating condition. Test low water cutoffs, automatic feed controls, pressure and temperature limit controls and relief valves in accordance with the manufacturer's recommendations to determine that they are in operating order.

SAFETY INSPECTION OF A PREVIOUSLY USED GAS APPLIANCE (Perform prior to IN-FORCER installation)

The following procedure is intended as a guide to aid in determining that an appliance is properly installed and is in safe condition for continuing use. This procedure is based on central furnace and boiler installations and it should be recognized that generalized procedures cannot anticipate all situations. Accordingly, in some cases deviation from this procedure may be necessary to determine safe operation of the equipment.

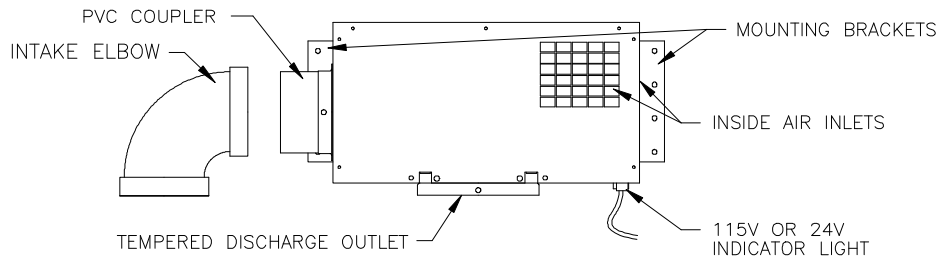
- A. This procedure should be performed prior to any attempt at modifications of the appliance or installation of the IN-FORCER.

- B. If it is determined there is a condition which could result in unsafe operation, the appliance should be shut off and the owner advised of the unsafe condition.

The following steps should be followed in making the safety inspection:

1. Conduct a gas leakage test of the appliance piping and control system downstream of the shutoff valve in the supply line to the appliance.
 2. Visually inspect the venting system and determine there is no blockage or restriction, leakage, corrosion and other deficiencies which could cause an unsafe condition.
 3. Shut off all gas to the appliance(s).
 4. Inspect burners and crossovers for blockage and corrosion.
 5. Applicable only to furnaces: Inspect heat exchanger for cracks, openings or excessive corrosion. Check both the limit control and fan control for proper operation.
 6. Applicable only to boilers: Inspect for evidence of water or combustion product leaks. Determine that the water pumps are in operating condition. Test low water cutoffs, automatic feed controls, pressure and temperature limit controls and relief valves in accordance with the manufacturer's recommendations to determine that they are in operating order.
- * Excerpts from the National Fuel Gas Code (ANSI Z223.1/NFPA #54), Appendix H.

IN-FORCER TERMINOLOGY



INTAKE ELBOW TERMINATION CLEARANCES

The IN-FORCER has been Listed in accordance with the 1990 BOCA national Mechanical Codes M-306.1 and M-306.1.1 as follows, (See Diagram A).

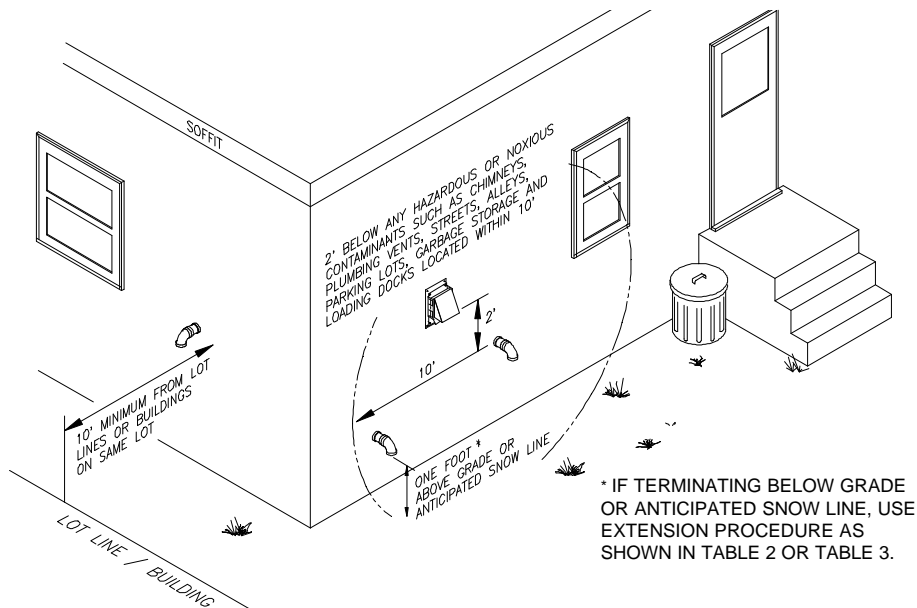
M-306.1 LOCATION: Outside air exhaust and intake openings shall be located a minimum of 10 feet (3048mm) from lot lines or buildings on the same lot. When openings front on a street or public way, the distance shall be measured to the centerline of the street or public way.

M-306.1.1 INTAKE OPENINGS: Outside air intake openings shall be located a minimum of 10 feet (3048mm) from any hazard or noxious contaminant such as vents, chimneys, plumbing vents, streets, alleys, parking lots and loading docks. When a source contaminant is located within 10 feet (3048mm) of an intake opening, such opening shall be located a minimum of 2 feet (610mm) below the contaminant source.

IN ADDITION TO THESE CODES THE MANUFACTURER RECOMMENDS THAT:

- The intake elbow should be a minimum of 1 foot above grade or anticipated snow line.

DIAGRAM A



If possible, terminate the IN-FORCER on a wall that does not face the direction of prevailing winds. This will diminish the possibility of wind induced damper fluctuation noise.

COMBUSTION CFM NECESSARY FOR APPLIANCE

The type of appliance the IN-FORCER is being interlocked with will have to be considered when determining the minimum CFM for combustion purposes. Consult chart for recommended minimum CFM needed to fulfill combustion air requirements, (See Table 1).

TABLE 1

BTU/HR INPUT	GAS		OIL FLAME RETENTION
	ATMOSPHERIC	INDUCED COMBUSTION	
40,000	21	11	12
50,000	26	14	15
60,000	32	17	18
70,000	37	19	21
80,000	42	22	24
90,000	47	25	27
100,000	53	28	30
110,000	58	30	33
120,000	63	33	37
130,000	68	36	40
140,000	74	39	43
150,000	79	41	46
160,000	—	44	49

BTU/HR INPUT	GAS		OIL FLAME RETENTION
	ATMOSPHERIC	INDUCED COMBUSTION	
170,000	—	47	52
180,000	—	50	55
190,000	—	52	58
200,000	—	55	61
210,000	—	58	64
220,000	—	61	67
230,000	—	63	70
240,000	—	66	73
250,000	—	69	76
260,000	—	72	79
270,000	—	74	—
280,000	—	77	—
290,000	—	80	—

Note:

The PAI-1 Series maximum capacity is 59 CFM.

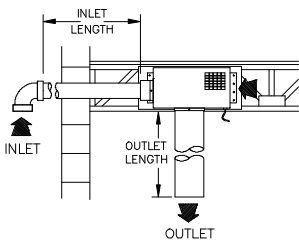
The PAI-2 Series maximum capacity is 80 CFM.

DETERMINING CFM CAPABILITIES

Reference the chart of the correct model selecting either the PAI-1 or PAI-2 series. The readings for CFM are determined with various inlet and outlet pipe lengths. The charts are read the same way except the right hand chart takes into consideration an intake elbow that is extended up to 4' above exterior penetration for below grade applications or to extend above anticipated snow line. The top row of the chart has inlet 3" diameter PVC pipe lengths from 2 to 20 feet. The left hand column has outlet 6" diameter pipe lengths from 0 to 20 feet. Pipe lengths must be calculated in equivalent feet, (See Diagram H, Page 6). With correct model selected, determine pipe lengths and read intersection of inlet and outlet pipe lengths to determine CFM. Consult Tjernlund Products for information on CFM data with pipe runs longer than those indicated on the charts.

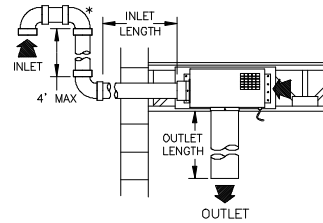
TABLE 2

PAI-1 SERIES



** BELOW FAN PROVER SET POINT

OUTLET LENGTH	INLET LENGTH			
	2 FEET	10 FEET	15 FEET	20 FEET
0 FEET	59 CFM	53 CFM	50 CFM	47 CFM
10 FEET	56 CFM	50 CFM	46 CFM	44 CFM
20 FEET	52 CFM	47 CFM	41 CFM	N/A **

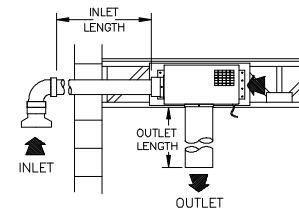


* PVC EXTENDED FOR BELOW GRADE APPLICATIONS OR ANTICIPATED SNOW LINE
** BELOW FAN PROVER SET POINT

OUTLET LENGTH	INLET LENGTH			
	2 FEET	10 FEET	15 FEET	20 FEET
0 FEET	52 CFM	47 CFM	44 CFM	43 CFM
10 FEET	48 CFM	44 CFM	42 CFM	N/A **
20 FEET	46 CFM	42 CFM	N/A **	N/A **

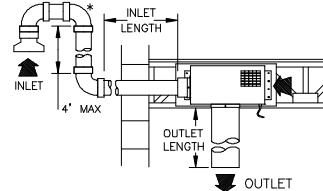
TABLE 3

PAI-2 SERIES



NOTE: PIPE RUNS LONGER THAN 20' MAY CAUSE FAN PROVING SWITCH TO CYCLE INTERMITTENTLY. CONSULT TJERNLUND PRODUCTS, INC. FOR FURTHER INFO

OUTLET LENGTH	INLET LENGTH			
	2 FEET	10 FEET	15 FEET	20 FEET
0 FEET	80 CFM	68 CFM	65 CFM	60 CFM
10 FEET	75 CFM	65 CFM	62 CFM	57 CFM
20 FEET	70 CFM	60 CFM	57 CFM	52 CFM



* PVC EXTENDED FOR BELOW GRADE APPLICATIONS OR ANTICIPATED SNOW LINE
NOTE: PIPE RUNS LONGER THAN 20' MAY CAUSE FAN PROVING SWITCH TO CYCLE INTERMITTENTLY. CONSULT TJERNLUND PRODUCTS, INC. FOR FURTHER INFO

OUTLET LENGTH	INLET LENGTH			
	2 FEET	10 FEET	15 FEET	20 FEET
0 FEET	64 CFM	58 CFM	54 CFM	53 CFM
10 FEET	62 CFM	54 CFM	52 CFM	49 CFM
20 FEET	58 CFM	50 CFM	48 CFM	44 CFM

INSTALLATION (TOOLS REQUIRED)

- 3-1/2" hole saw or reciprocating saw
- 5/16", 1/4" nut runner or socket
- Wire cutter/stripper
- Drill and 1/2" bit
- Blade screwdriver

CUTTING PVC OPENING THROUGH WALL

Note: Before cutting opening through wall, consider layout of PVC pipe runs and consult performance charts above to make sure CFM necessary for equipment is achieved with pipe run lengths.

1. A) Attach template to the rim joist in between the floor joists ensuring that it is snug against the subfloor and joist that IN-FORCER will be mounted to, (See Diagram B). If unit is to be installed on floor trusses, the template should be adjusted to compensate for the thickness of the added plywood as described in truss mounting section below, (See Diagram C).

B) If IN-FORCER is not being installed between floor joists or trusses, attach the template to the wall it will be exiting, ensuring IN-FORCER will be level.

DIAGRAM B

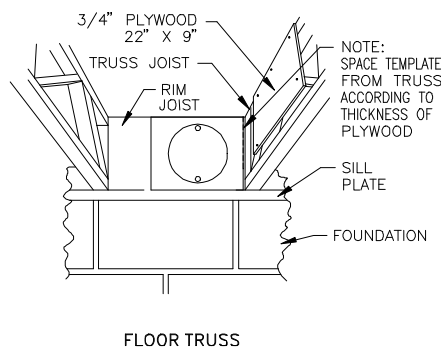
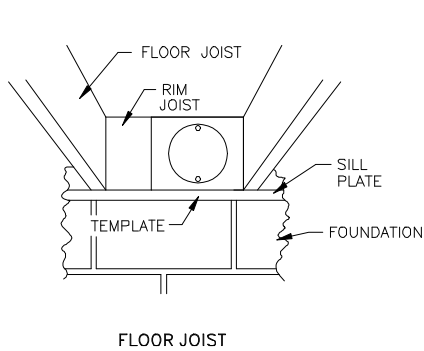
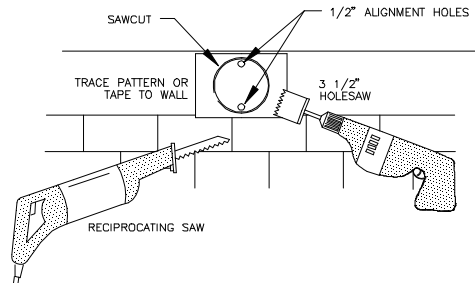


DIAGRAM C

2. Using 1/2" bit, drill pilot holes noted on the template from inside through rim joist, wall board, siding, etc., keeping drill bit perpendicular to the wall. 1/2" bit must be long enough to penetrate through exterior.
3. Remove template from rim joist and attach to building exterior, aligning pilot hole markings on template with holes previously created in Step #2.
4. Using 3-1/2" hole saw or a reciprocating saw and appropriate blade, cut opening through rim joist, wall board, siding, etc., following the template outline for the pipe, (See Diagram D).
5. Knock out material exposing hole through the wall.

DIAGRAM D



TRUSS MOUNTING

If IN-FORCER will be mounted on a floor truss instead of a joist follow this section, otherwise, skip to installation of IN-FORCER.

1. Cut a piece of plywood measuring 22" x 9".
2. Position 22" side of plywood flush against sub floor.
3. Secure plywood to trusses with a minimum of 4-8 penny nails or 1-1/2" wood screws.

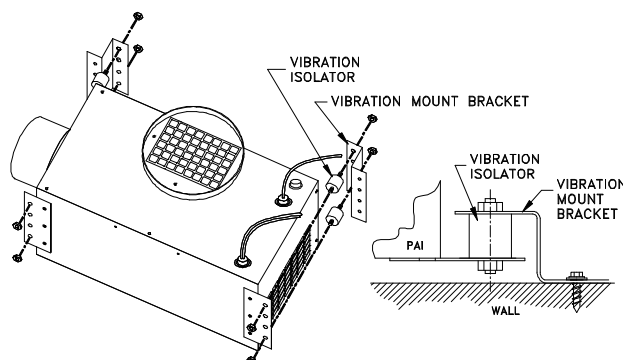
INSTALLATION OF IN-FORCER

A minimum two foot length of PVC intake pipe is recommended so the IN-FORCER can be easily serviced. If intake PVC pipe lengths are relatively short, the pipe can be cemented to the IN-FORCER coupler and fed through exterior opening before securing to the wall. If PVC pipe run is extended, first secure IN-FORCER to joist/truss, then extend PVC pipe run through exterior opening and cement to PVC coupler.

Note: Before cutting opening through wall, consider layout of PVC pipe runs and consult performance charts on page 4 to make sure CFM necessary for equipment is achieved with pipe run lengths.

1. Assemble vibration mount brackets on IN-FORCER as shown below in diagram E.

DIAGRAM E



2. Install IN-FORCER 1/2" below subfloor making sure that unit is level. NOTE: 1/2" space must be followed so PVC pipe lines up with hole template.
3. Level IN-FORCER on underside length wise and width wise making sure it is level in both planes, (See Diagram F).
4. Once determined IN-FORCER is level, secure to wall with provided screws, (See Diagram G). Note: Drill 4 - 1/4" holes and use wall anchors provided if installing on masonry wall.

DIAGRAM F

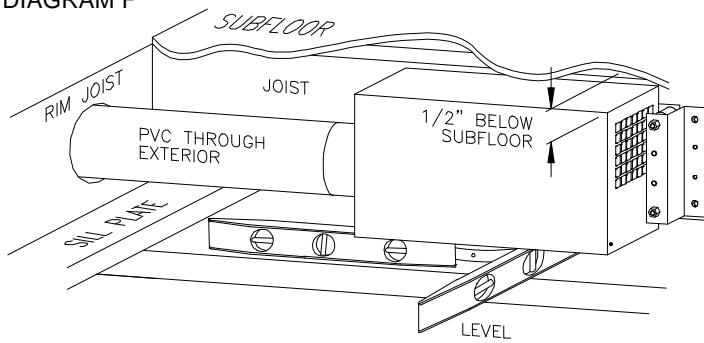
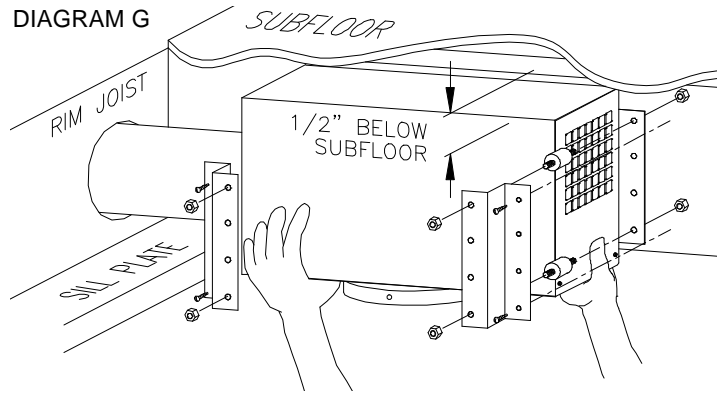


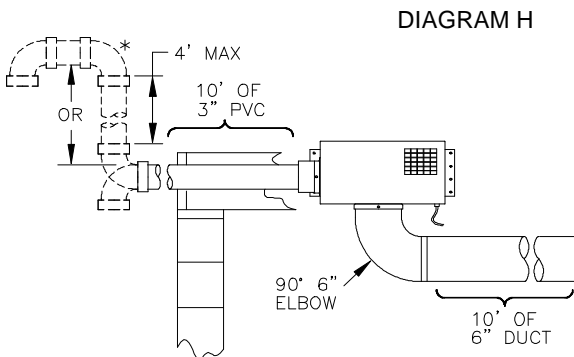
DIAGRAM G



INSTALLATION OF PIPE

Schedule 40 or schedule 80 3" PVC pipe is recommended on the intake side of the IN-FORCER. Standard 6" metal vent or flex duct is acceptable for discharge vent runs. If using flex duct, make sure adherence to manufacturers restrictions is followed. Determine the inlet and outlet pipe lengths in equivalent feet. Each 90 degree 3" PVC elbow is equal to 5 feet of straight pipe, each 45 degree elbow is equal to 2-1/2 feet of straight pipe. Each 90 degree elbow of 6" metal vent pipe is equal to 10 feet of straight pipe, each 45 degree elbow is equal to 5 feet of straight pipe. For an example of how to calculate equivalent feet, (See Diagram H). Plan vent runs with desired CFM requirements in mind.

EQUIVALENT PIPE LENGTH CALCULATION EXAMPLE



EQUIVALENT LENGTH OF ELBOWS

ELBOW DIAMETER	90°	45°
3"	5'	2.5'
6"	10'	5'

* Intake elbow & gooseneck do not need to be included for equivalent length calculation. These exterior PVC pipe fittings have already been accounted for in CFM calculations, (See Page 4, Table 2 or 3).

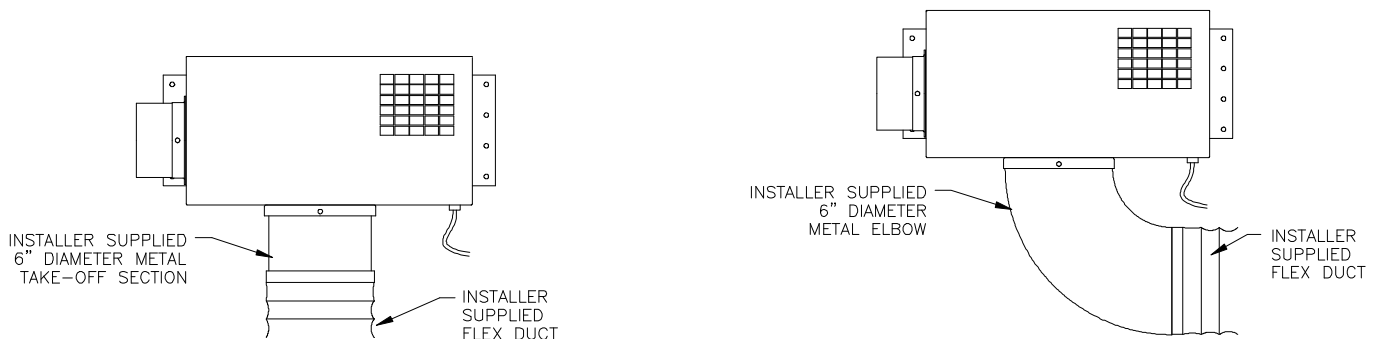
CALCULATION

3" PVC INLET PIPE = 10'
 3" PVC ELBOWS = 0' (NO ELBOWS)
 TOTAL EQUIVALENT INLET = 10'
 6" OUTLET PIPE = 10'
 6" ELBOWS = 10' (1-6" ELBOW)
 TOTAL EQUIVALENT OUTLET = 20'

Plan vent runs with desired CFM requirements in mind. It is recommended that the IN-FORCER be mounted as close to the discharge location as possible to minimize the use of the more restrictive flex duct. For CFM capabilities see Page 4, Table 2 or 3.

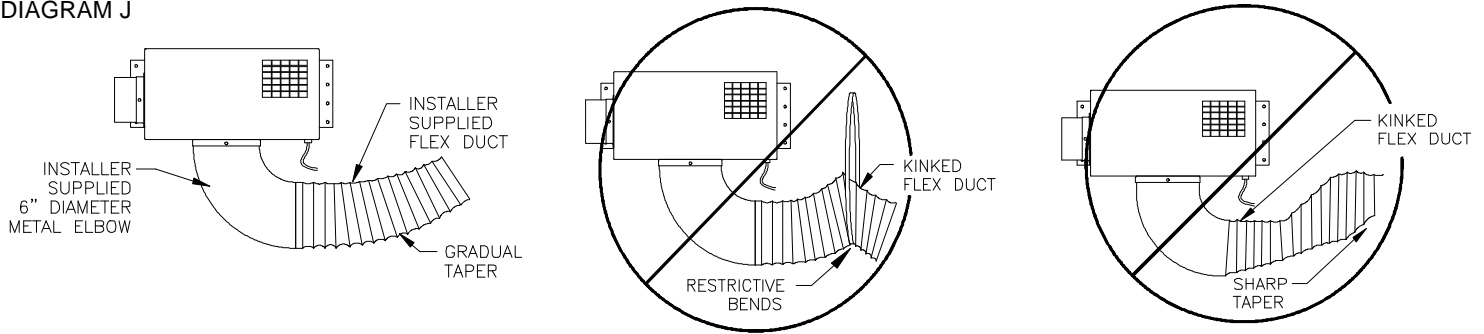
If using flex duct on discharge side, a take-off section of 6" diameter metal pipe or a 6" diameter metal elbow will have to be installed on the IN-FORCER. The flex duct will then have to be connected to the take-off section by duct tape or other suitable method, (See Diagram I).

DIAGRAM I



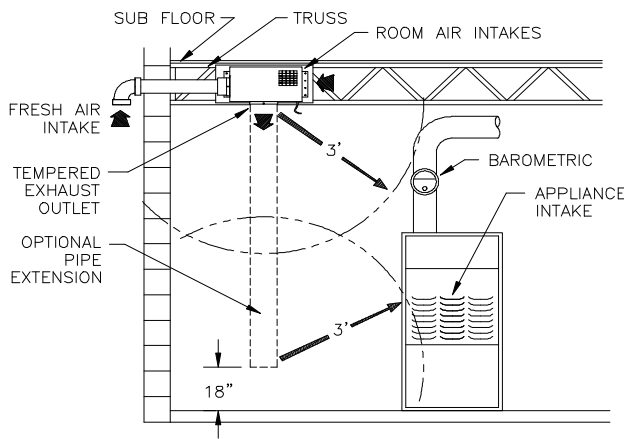
If flex duct will be directed to higher levels, instead of down, it is recommended that a 6" metal elbow be connected to the IN-FORCER at discharge. Flex duct can then be connected to the elbow. All flex duct runs should be tapered gradually to prevent severe bends and kinks that may add resistance and reduce CFM. Make bends with as large a radius as possible and keep flex duct as straight as possible for extended runs, (See Diagram J).

DIAGRAM J



The discharge should terminate three feet from a barometric draft control or intake grille of an appliance. If this is not possible terminate on sides or opposite side of intake on appliance. Never terminate within 3 feet from the front or intake side of appliance. Supply duct should also terminate a minimum of 18 inches above floor or other obstructions if perpendicular to them, (See Diagram K).

DIAGRAM K



CONFINED SPACE OR CLOSET INSTALLATIONS

The IN-FORCER can be installed in a closet or combustion air can be ducted into the closet. First, determine the CFM necessary for proper combustion of appliance, (See Table 1, Page 4). Second, determine CFM capabilities with proposed vent runs, (See Page 4 Table 2 or 3). Keep in mind that all vent pipe equivalent lengths must be calculated, (See Diagram H, Page 6).

The discharge should terminate three feet from a barometric draft control or air intake of an appliance. If this is not possible terminate on sides or opposite side of intake on appliance. Never terminate within 3 feet from the front or intake side of appliance. Discharge should also terminate a minimum of 18 inches above floor or other obstructions if perpendicular to them, (See Diagram K).

With today's higher efficient appliances, constricted spaces seldom experience elevated ambient temperatures. Because the IN-FORCER brings in outdoor air to the space, the potential for elevated ambient temperatures is further reduced. Ventilation openings are not required for the proper operation of the IN-FORCER nor for combustion air.

INSTALLING INTAKE ELBOW

1. Insert PVC pipe through wall and cut to desired exterior termination length. NOTE: A minimum of two feet should be used for PVC section that is connected to IN-FORCER PVC coupler. This will leave room for servicing IN-FORCER.
2. Apply PVC cement to exterior pipe joints and make connections as shown depending on exterior layout, (See Diagram L).
3. After PVC pipe, intake elbow and IN-FORCER are completely installed and secured, apply a bead of exterior rated caulk around pipe on exterior of building, (See Diagram M).

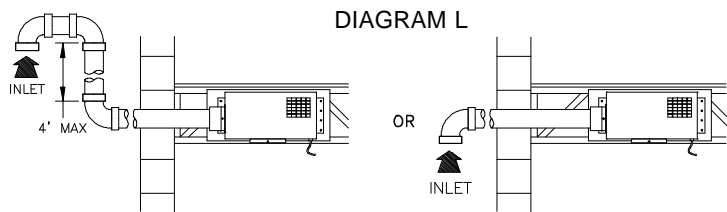


DIAGRAM L

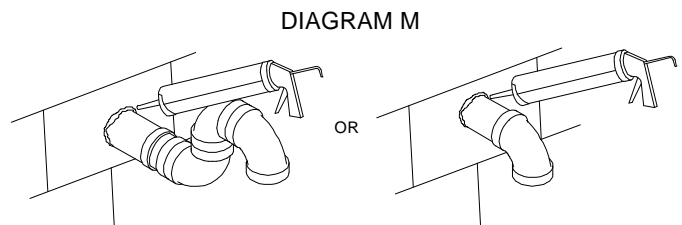


DIAGRAM M

ELECTRICAL WIRING OF IN-FORCER MODELS PAI-10 & PAI-20 (OIL)

All wiring from the IN-FORCER to the appliance must be appropriate Class 1 wiring as follows: installed in rigid metal conduit, intermediate conduit, rigid non-metallic conduit, electrical metallic tubing, Type MI Cable, Type MC Cable or be otherwise suitably protected from physical damage. The electrical contact rating for the **Fan Proving Switch is 3 Amps Inductive**. The Fan Proving Switch is not suitable for loads which exceed the above limit.

SEQUENCE OF OPERATION WITH IN-FORCER INTERLOCKED ON OIL FIRED APPLIANCES

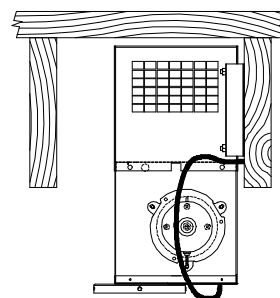
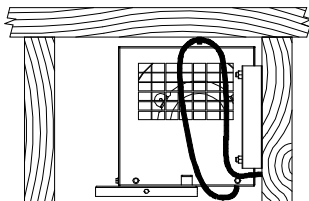
As the thermostat /aquastat senses a call for heat the internal switch of the the thermostat/aquastat will close. The switch closure sends current through the internal controls of appliance (i.e. high limit, low limit and all other safety controls the appliance is equipped with) and continues through the R8184G primary control. Current will then flow out of the orange of the R8184G to the IN-FORCER motor. After draft is established within the IN-FORCER, the damper opens closing Fan Proving Switch safety circuit contacts. This completes the circuit to the 115V indicator light and the burner motor. It is important to remember that the electrical interlock of the IN-FORCER is always done at the final signal which would normally start the burner motor. All thermostats, zones, limits and circulators are to be wired as normally done on a chimney vented appliance.

If your appliance is not equipped with a R8184G as outlined in these diagrams, locate the wire from the primary control which is connected to the black burner motor wire and follow the steps outlined at the top of page 9.

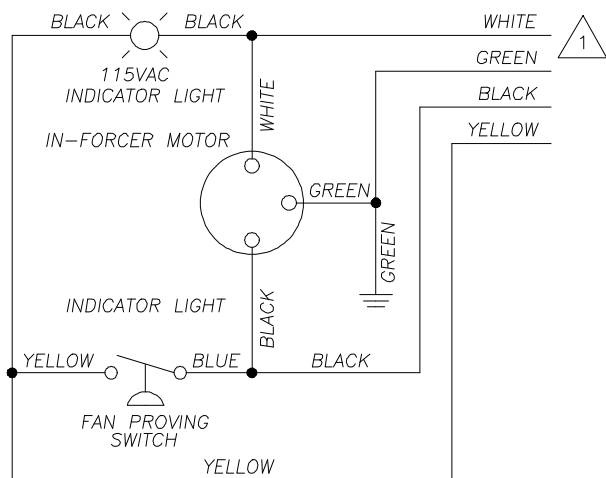
NOTE: The indicator light on the IN-FORCER signals that it is functioning properly. If the light is on and appliance will not fire, there may be an appliance malfunction or wiring error in the interlock. See troubleshooting section for further details.

NOTE:

For all wiring into IN-FORCER leave approximately 10" or sufficient slack in wiring for pull-down servicing feature of IN-FORCER. See diagrams to right. Remove six (6) screws from bottom front and sides of IN-FORCER while holding blower assembly firmly. Carefully slide blower assembly down until stops hold in place. See diagram on page 17.



IN-FORCER MODELS PAI-10 & PAI-20 JUNCTION BOX LADDER DIAGRAM



CAUTION
ALL WIRING FROM THE
IN-FORCER TO APPLIANCE
MUST BE CLASS 1

NOTES:



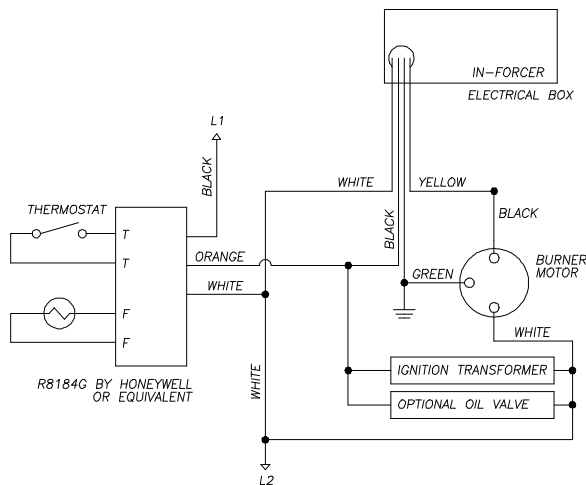
CONNECT TO APPLIANCE CONTROLS AS OUTLINED IN WIRING INSTRUCTIONS SUPPLIED BY TJERNLUND PRODUCTS, INC.

— DENOTES LINE VOLTAGE FACTORY.
● DENOTES WIRE CONNECTOR.

NOTE:

For access to IN-FORCER electrical box, remove six (6) screws from bottom front and sides of IN-FORCER while holding blower assembly firmly. Carefully slide blower assembly down until stops hold in place. See diagram on page 17.

**IN-FORCER MODELS PAI-10 & PAI-20 CONNECTED TO AN R8184G WITH THE APPLIANCE
(BURNER MOTOR LESS THAN 3 AMPS INDUCTIVE @ 120 VAC)**



NOTES: The IN-FORCER is always interlocked with the primary control of the appliance. Wire all other furnace/boiler controls as normally done when conventional venting before continuing. Disconnect power from the appliance before attempting to interlock IN-FORCER.

Step 1: Disconnect BLACK burner motor wire from the ORANGE wire on R8184G.

Step 2: Connect the BLACK burner motor wire to the YELLOW wire in IN-FORCER electrical box.

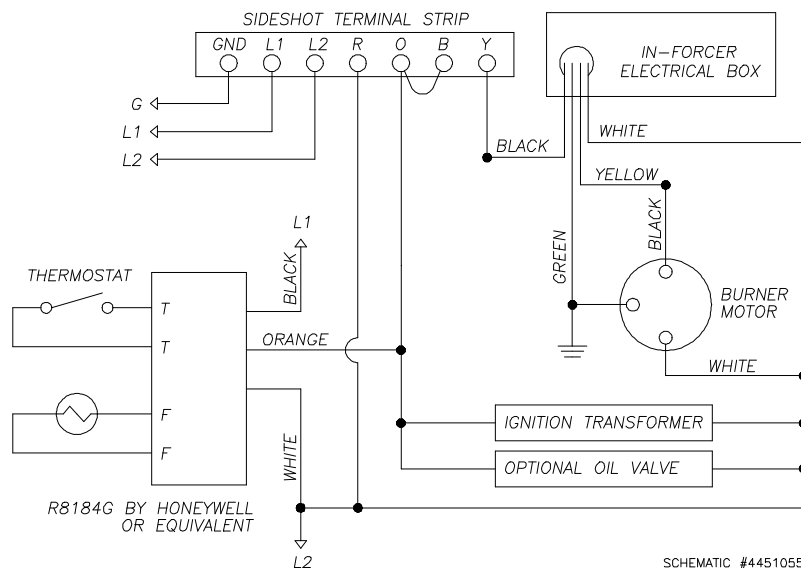
Step 3: Connect the ORANGE wire from R8184G to the BLACK wire in IN-FORCER electrical box.

Important: The ORANGE wire from R8184G should also be connected to the Ignition Transformer or Oil Valve.

Step 4: Connect the GREEN wire in IN-FORCER electrical box to the GREEN or ground wire of burner motor

Step 5: Connect the WHITE wire in IN-FORCER electrical box to the WHITE wire of R8184G.

**IN-FORCER MODELS PAI-10 & PAI-20 CONNECTED TO AN R8184G WITH TJERNLUND SS1 OR SS2 POWER VENTER
(BURNER MOTOR LESS THAN 3 AMPS INDUCTIVE @ 120 VAC)**



NOTES: The IN-FORCER is always interlocked with the primary control of the appliance. Wire all other furnace/boiler controls as normally done when conventional venting before continuing. Disconnect power from the appliance before attempting to interlock IN-FORCER. The instructions below assume that the IN-FORCER and SS1 are installed at the same time.

Step 1: Disconnect the BLACK burner motor wire from the ORANGE wire on R8184G.

Step 2: Connect the BLACK burner motor wire to the YELLOW wire in IN-FORCER electrical box.

Step 3: Connect the ORANGE wire on R8184G to terminal O in SS1 electrical box.

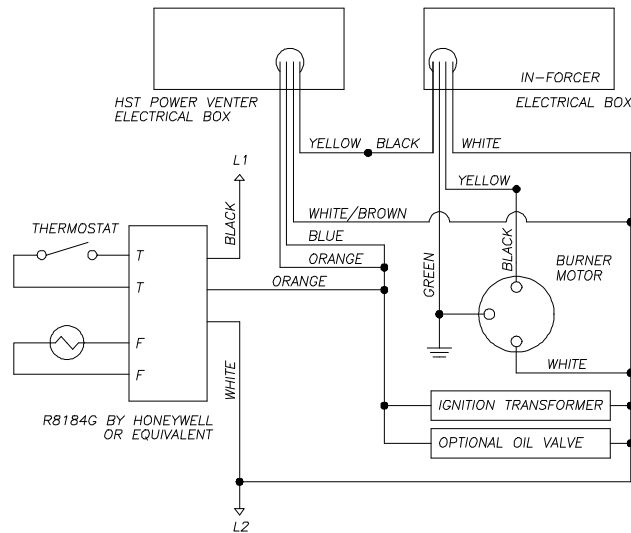
Important: The ORANGE wire from R8184G should also be connected to the Ignition Transformer or Oil Valve.

Step 4: Connect terminal Y on SS1 terminal strip to the BLACK wire in IN-FORCER electrical box.

Step 5: Connect the GREEN wire in IN-FORCER electrical box to the GREEN or ground wire of burner motor.

Step 6: Connect the WHITE wire in IN-FORCER electrical box to the WHITE wire of R8184G.

**IN-FORCER MODELS PAI-10 & PAI-20 CONNECTED TO AN R8184G WITH TJERNLUND HST POWER VENTER
(BURNER MOTOR LESS THAN 3 AMPS INDUCTIVE @ 120 VAC)**



NOTES: The IN-FORCER is always interlocked with the primary control of the appliance. Wire all other furnace/boiler controls as normally done when conventional venting before continuing. Disconnect power from the appliance before attempting to interlock IN-FORCER. The instructions below assume that the IN-FORCER and HST are installed at the same time.

- Step 1: Disconnect the BLACK burner motor wire from the ORANGE wire on R8184G.
- Step 2: Connect the BLACK burner motor wire to the YELLOW wire in IN-FORCER electrical box.
- Step 3: Connect the ORANGE wire on R8184G to the ORANGE and BLUE wires in Power Venter electrical box.
Important: The ORANGE wire from R8184G should also be connected to the Ignition Transformer or Oil Valve.
- Step 4: Connect the YELLOW wire in Power Venter electrical box to the BLACK wire in IN-FORCER electrical box.
- Step 5: Connect the WHITE/BROWN wire in Power Venter electrical box to the WHITE wire in R8184G.
- Step 6: Connect the GREEN wire in IN-FORCER electrical box to the GREEN or ground wire of burner motor.
- Step 7: Connect the WHITE wire in IN-FORCER electrical box to the WHITE of R8184G.

ELECTRICAL WIRING IN-FORCER MODELS PAI-1G & PAI-2G (GAS)

The IN-FORCER PAI-G Series comes with a factory wired 25' long 3 wire cable and 6' long 120 VAC grounded wall plug. These are all that is necessary to make all wire connections if IN-FORCER is interlocked with appliance only.

The electrical contact rating for the **Fan Proving Switch is 3 Amps Inductive**. The Fan Proving Switch is not suitable for loads which exceed the above limit.

SEQUENCE OF OPERATION WITH IN-FORCER INTERLOCKED ON 24V GAS APPLIANCES

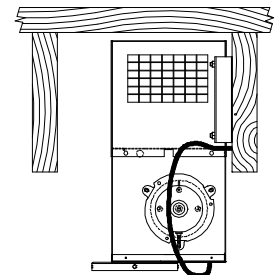
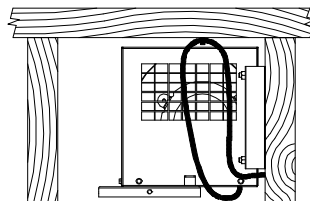
As the thermostat /aquastat senses a call for heat the internal switch of the the thermostat/aquastat will close. The switch closure sends current through the internal controls of appliance (i.e. high limit, low limit and all other safety controls the appliance is equipped with) and continues to IN-FORCER relay. When the relay receives current, the IN-FORCER motor is energized. After draft is established, the IN-FORCER damper opens closing Fan Proving Switch safety circuit contacts. This completes the circuit to the 24V indicator light and the 24V gas valve. It is important to remember that the electrical interlock of the IN-FORCER is always done at the final signal which would normally control the gas valve. All thermostats, zones, limits and circulators are to be wired as normally done on a chimney vented appliance.

If your appliance gas valve is not labeled TH, TR as outlined in these diagrams, determine the "HOT" and "COM" terminals on the gas valve and follow the steps outlined on the middle of page 11.

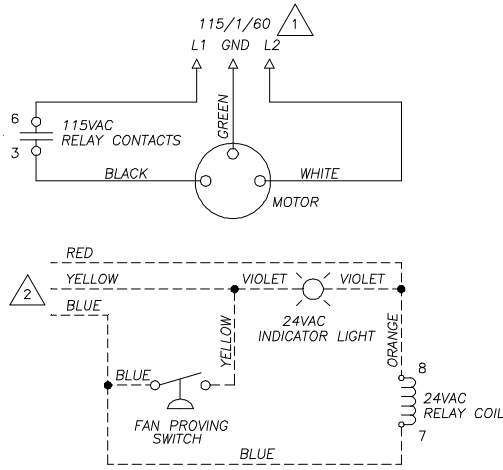
NOTE: The indicator light on the IN-FORCER signals that it is functioning properly. If the light is on and appliance will not fire, there may be an appliance malfunction or wiring error in the interlock. See troubleshooting section for further details.

NOTE:

For all wiring into IN-FORCER leave approximately 10" or sufficient slack in wiring for pull-down servicing feature of IN-FORCER. See diagrams to right. Remove six (6) screws from bottom front and sides of IN-FORCER while holding blower assembly firmly. Carefully slide blower assembly down until stops hold in place. See diagram on page 17.



IN-FORCER MODELS PAI-1G & PAI-2G JUNCTION BOX LADDER DIAGRAM

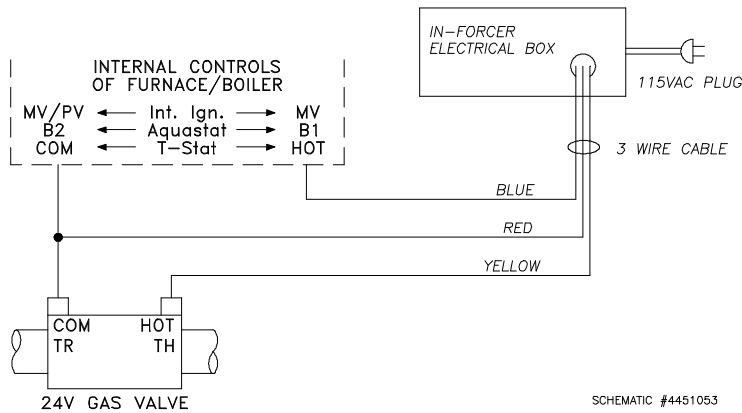


- DENOTES LINE VOLTAGE FACTORY.
- - - - - DENOTES LOW VOLTAGE FACTORY.
- ——— DENOTES WIRE CONNECTOR.

NOTES:

- 1 POWER SUPPLY. 6' POWER CORD SUPPLIED. OVERLOAD PROTECTION REQUIRED.
- 2 CONNECT TO APPLIANCE CONTROLS AS OUTLINED IN WIRING INSTRUCTIONS SUPPLIED BY TJERNLUND PRODUCTS, INC.

IN-FORCER MODELS PAI-1G & PAI-2G CONNECTED TO A 24V FURNACE OR BOILER

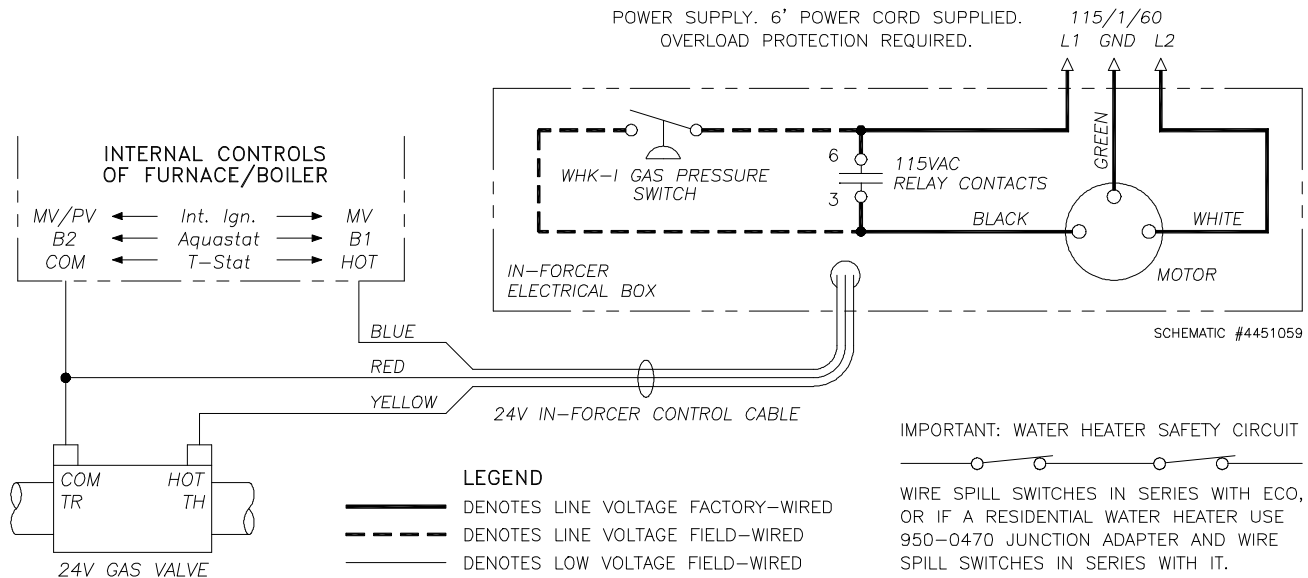


SCHEMATIC #4451053

NOTES: When the IN-FORCER is interlocked with the gas valve of the appliance, wire all other furnace/boiler controls as normally done when conventional venting before continuing. Disconnect power from the appliance before attempting to interlock IN-FORCER.

- Step 1: Cut wire that is factory installed to the TH or MV (HOT) terminal of gas valve.
 - Step 2: Connect YELLOW wire from IN-FORCER control cable to TH or MV (HOT) of gas valve.
 - Step 3: Connect BLUE wire from IN-FORCER control cable to the TH or MV (HOT) terminal of internal controls.
 - Step 4: Connect the RED wire from IN-FORCER control cable to the TR or MV/PV (COM) terminal on gas valve.
- Important:** DO NOT remove the factory pre-wired connection on this terminal.

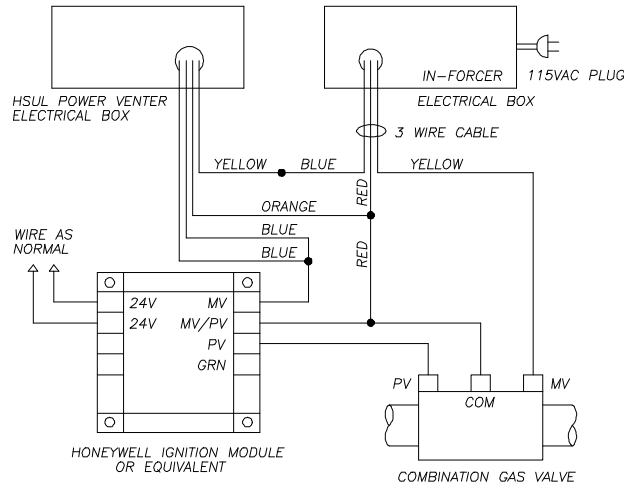
IN-FORCER MODELS PAI-1G & PAI-2G CONNECTED TO A 24V FURNACE OR BOILER AND A MILLIVOLT WATER HEATER



NOTES: When the IN-FORCER is interlocked with the gas valve of the appliance, wire all other furnace/boiler controls as normally done when conventional venting before continuing. Disconnect power from the appliance before attempting to interlock IN-FORCER.

- Step 1: Cut wire that is factory installed to the TH or MV (HOT) terminal of gas valve.
- Step 2: Connect YELLOW wire from IN-FORCER control cable to TH or MV (HOT) of gas valve.
- Step 3: Connect BLUE wire from IN-FORCER control cable to the TH or MV (HOT) terminal of internal controls.
- Step 4: Connect the RED wire from IN-FORCER control cable to the TR or MV/PV (COM) terminal on gas valve.
- Important:** DO NOT remove the factory pre-wired connection on this terminal.
- Step 5: Wire WHK-I Gas Pressure Switch in parallel across PAI-G Series relay contacts.
- Step 6: Wire Spill Switches in series with ECO or 950-0470 thermocouple junction adapter if no ECO is present.

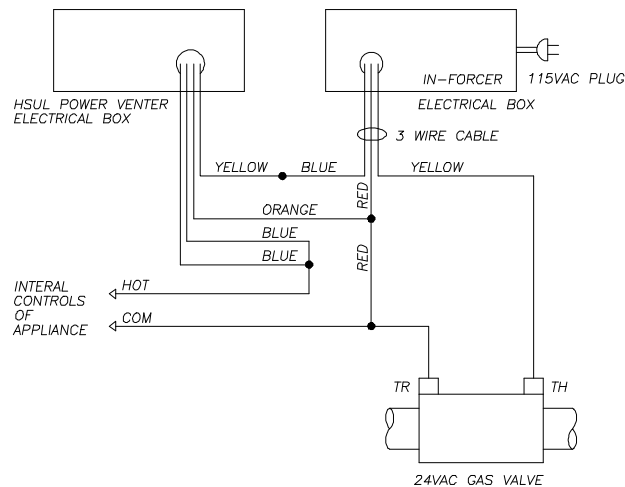
IN-FORCER MODELS PAI-1G & PAI-2G CONNECTED TO A 24V FURNACE OR BOILER WITH ELECTRONIC IGNITION AND TJERNLUND HSUL OR GPAK POWER VENTER



NOTES: The IN-FORCER is always interlocked with the gas valve of the appliance. Wire all other furnace/boiler controls as normally done when conventional venting before continuing. Disconnect power from the appliance before attempting to interlock IN-FORCER. The instructions below assume that the IN-FORCER and Power Venter are installed at the same time.

- Step 1: Remove wire connected to the MV(HOT) terminal on appliance electronic ignition module.
- Step 2: Reconnect wire removed in step 1 to the YELLOW wire from IN-FORCER control cable.
- Step 3: Connect the ORANGE wire from Power Venter electrical box and the RED from the IN-FORCER control cable to the MV/PV (COM) terminal on appliance electronic ignition module.
- Important:** DO NOT remove the factory pre-wired connection on this terminal.
- Step 4: Connect the two BLUE wires in Power Venter electrical box to the MV(HOT) terminal on electronic ignition module.
- Step 5: Connect the YELLOW wire from the Power Venter electrical box to the BLUE wire from IN-FORCER control cable.

IN-FORCER MODELS PAI-1G & PAI-2G CONNECTED TO A 24V FURNACE OR BOILER WITH STANDING PILOT AND TJERNLUND HSUL OR GPAK POWER VENTER



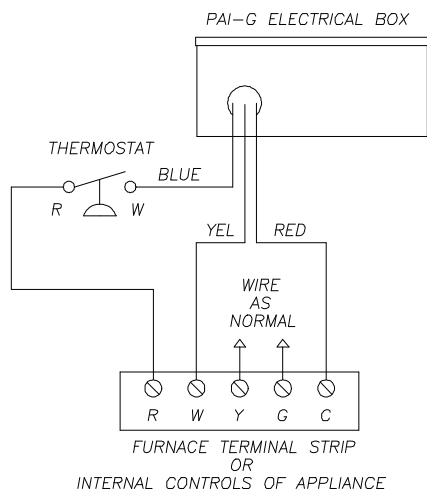
NOTES: The IN-FORCER is always interlocked with the gas valve of the appliance. Wire all other furnace/boiler controls as normally done when conventional venting before continuing. Disconnect power from the appliance before attempting to interlock IN-FORCER. These instructions assume that the IN-FORCER and Power Venter are installed at the same time. See wiring steps on page 13.

- Step 1: Remove wire connected to the TH(HOT) terminal on appliance gas valve.
 Step 2: Reconnect wire removed in step 1 to the two BLUE wires in Power Venter.
 Step 3: Connect the ORANGE wire from Power Venter electrical box and the RED from the IN-FORCER control cable to the TR(COM) terminal on appliance gas valve.

Important: DO NOT remove the factory pre-wired connection on this terminal.

- Step 4: Connect the YELLOW wire in Power Venter electrical box to the BLUE wire from IN-FORCER control cable.
 Step 5: Connect the YELLOW wire from IN-FORCER control cable to the TH(HOT) terminal on appliance gas valve.

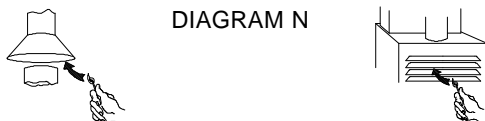
WIRING MODELS PAI-1G & PAI-2G WITH SINGLE ZONE GAS OR OIL FURNACE TERMINAL STRIP/FAN CENTER



- Step 1: Remove T-Stat wire connected to W on furnace terminal strip/fan center and connect it to BLUE wire of IN-FORCER control cable.
 Step 2: Connect YELLOW wire from IN-FORCER control cable to W on furnace terminal strip/fan center
 Step 3: Connect RED from IN-FORCER control cable to C/Common on furnace terminal strip/fan center.

SYSTEM OPERATION CHECK-OUT

1. Adjust thermostat or appliance to call for heat.
2. Verify that IN-FORCER operates first, prior to burner ignition. Allow heating equipment and IN-FORCER to operate continuously while performing steps 3-6.
3. Close all doors and windows of the building. If heating equipment is installed in a utility room or closet, close the entrance door to the room. Close fireplace dampers.
4. Turn on all equipment in the structure that exhausts indoor air during the operation, i.e. turn on clothes dryer, exhaust fans, such as range hood, bathroom and exhaust whole house fans.
5. Allow IN-FORCER and equipment to operate for at least five minutes.
6. Place a smoke source a couple of inches from draft hood or draft diverter and verify that appliance is pulling in smoke, (See Diagram N).



If appliance is venting properly, smoke source will be pulled in. If smoke is not pulled in, a blocked flue or negative house pressure exists. Call a heating professional to examine the problem.

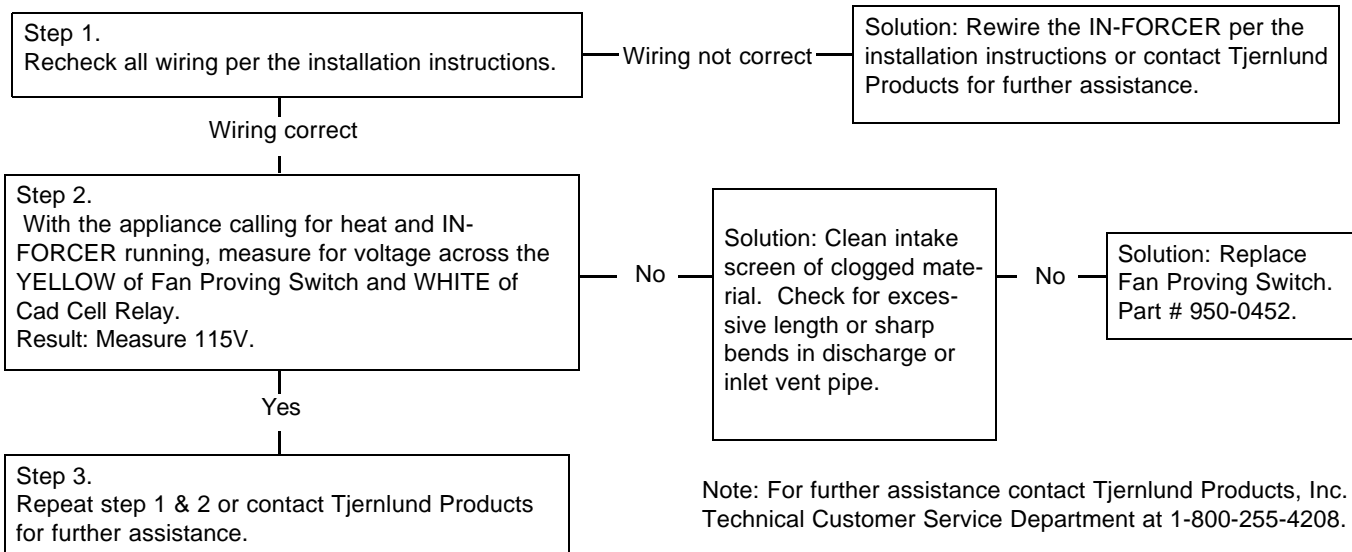
MAINTENANCE

The IN-FORCER must be inspected every 3 to 6 months. Points of inspection are:

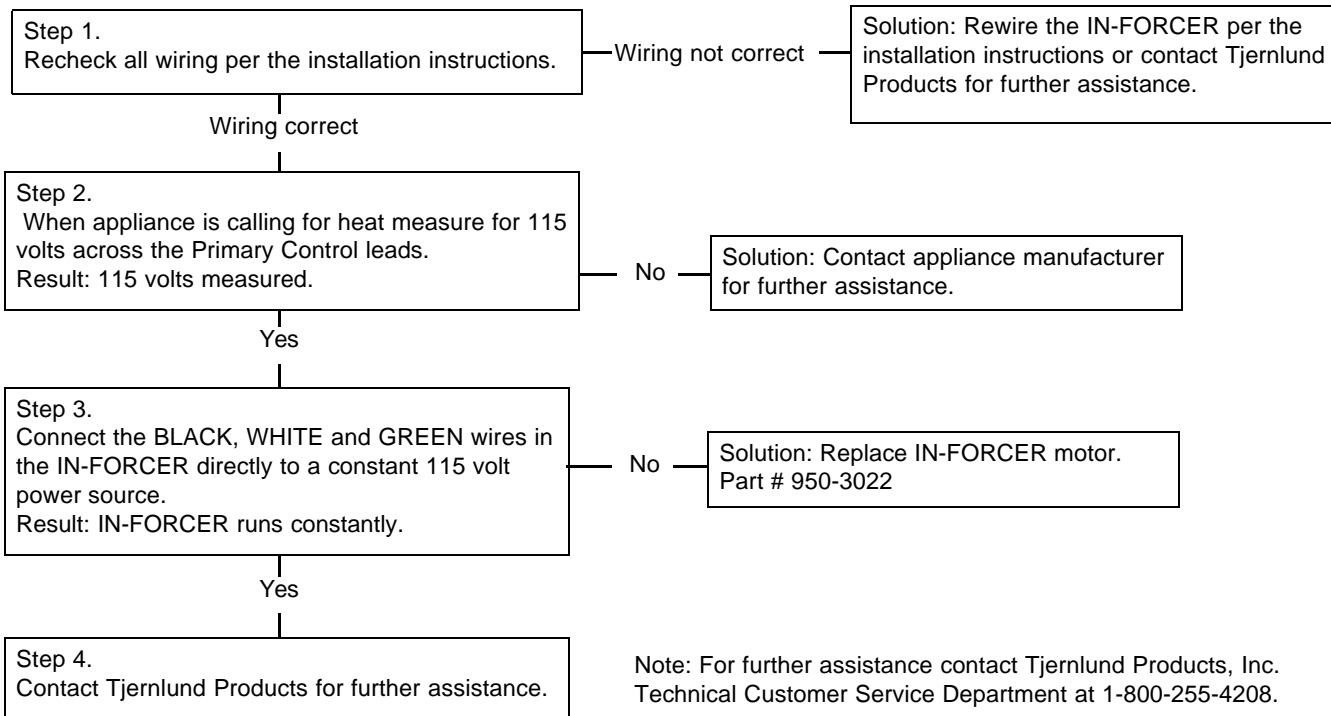
1. **Motor:** Motor must rotate freely. The fan motor is permanently sealed and requires no oiling.
2. **Wheel:** Wheel must be clean of any foreign substance like leaves, lint or other items. Remove all foreign material from blower assembly before operation.
3. **Intake Elbow:** Intake elbow screen should be clear of any foreign substance like leaves, lint or other items. Check screen every 3 to 6 months for foreign material. Remove all foreign material from intake system before operation.

The IN-FORCER now features easy pull down servicing for maintenance, see isometric diagram on bottom of page 17.

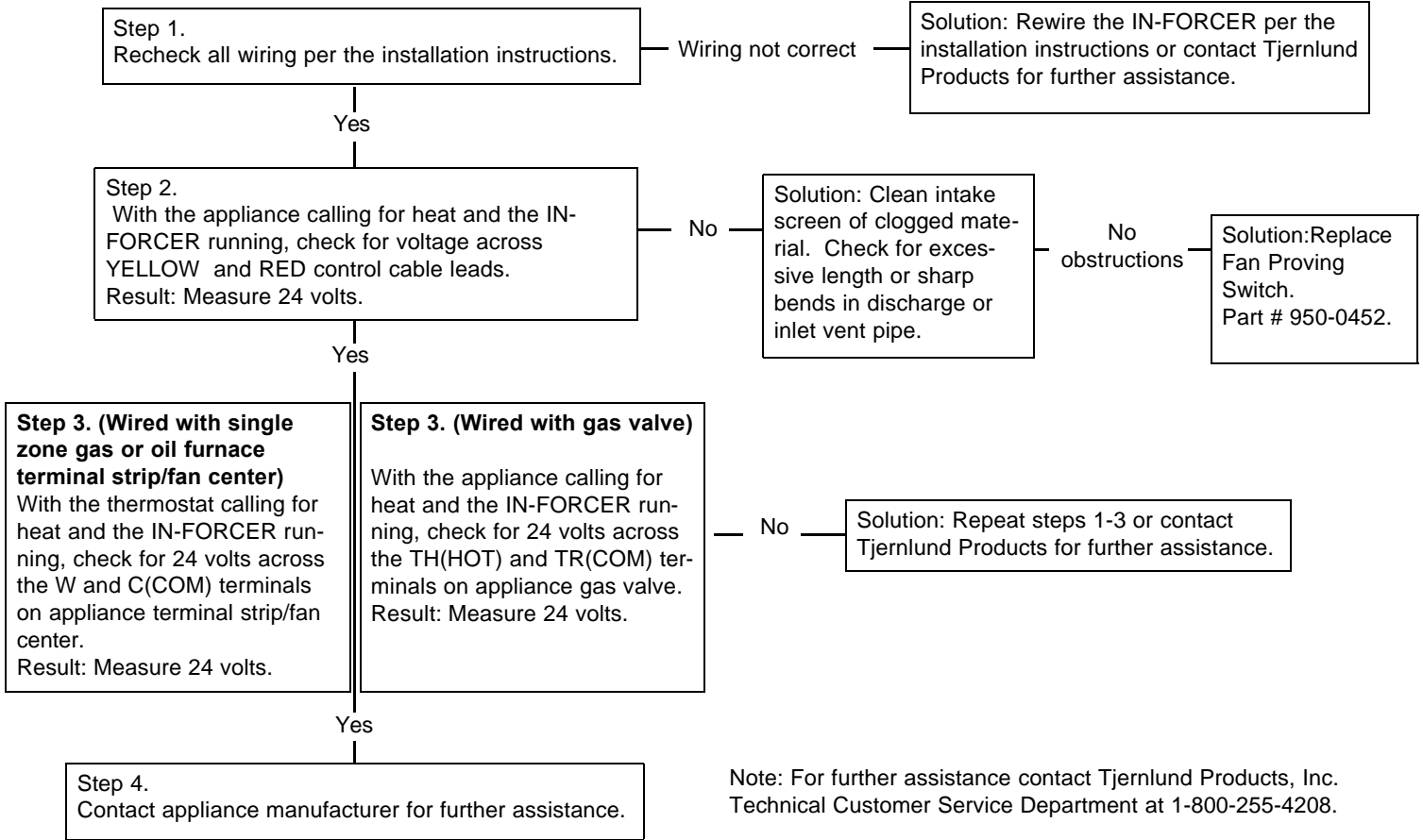
SYMPTOM 1: IN-FORCER PAI-O (OIL) SERIES RUNS BUT BURNER DOES NOT FIRE



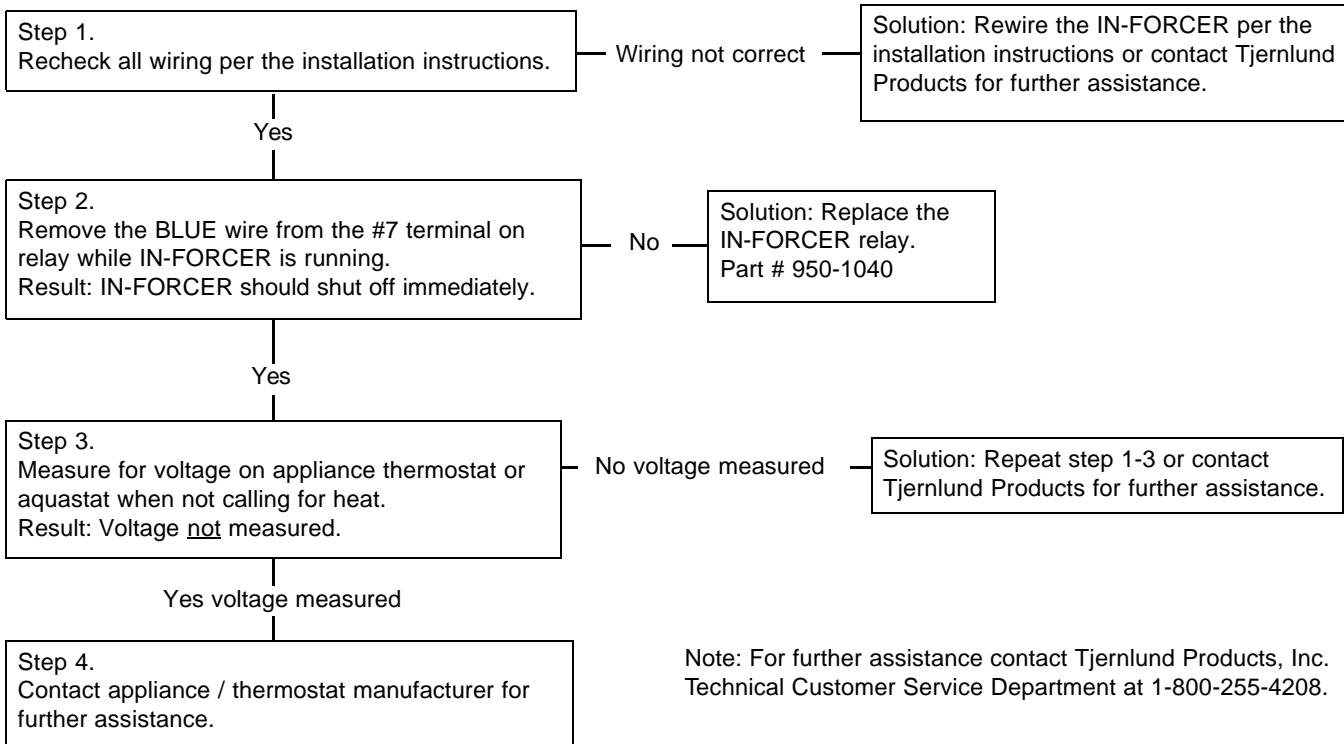
SYMPTOM 2: IN-FORCER PAI-O (OIL) SERIES WILL NOT RUN ON CALL FOR HEAT



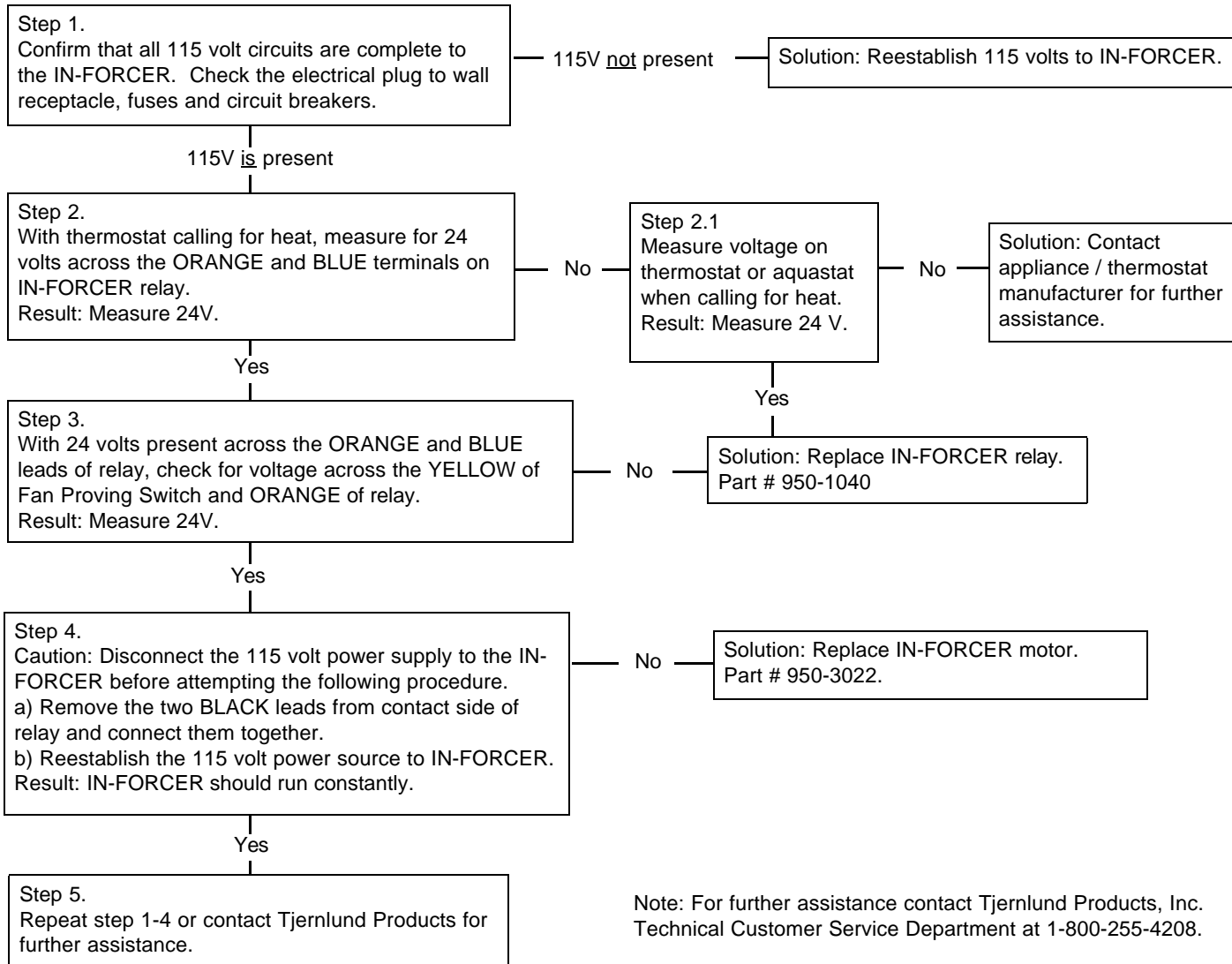
SYMPTOM 1: IN-FORCER PAI-G (GAS) SERIES RUNS BUT BURNER WILL NOT FIRE



SYMPTOM 2: IN-FORCER PAI-G (GAS) SERIES RUNS CONSTANTLY



SYMPTOM 3: IN-FORCER PAI-G (GAS) SERIES WILL NOT RUN ON CALL FOR HEAT



Note: For further assistance contact Tjernlund Products, Inc. Technical Customer Service Department at 1-800-255-4208.

HOW TO OBTAIN SERVICE ASSISTANCE

1. If you have any questions about your IN-FORCER or if it requires adjustment, repair or routine maintenance, we suggest that you contact your installer, contractor or service agency.
2. If you require technical information contact Tjernlund Products, Inc. at 1-800-255-4208.

When contacting Tjernlund Products, Inc., please have the following information available:

1. Model number and date code of the IN-FORCER
2. Name and address of installer and service agency
3. Date of original installation and dates any service work was performed
4. Details of the problem

LIMITED PARTS WARRANTY AND CLAIM PROCEDURE

Tjernlund Products, Inc. warrants the components of the IN-FORCER for one year from date of installation. This warranty covers defects in material and workmanship. This warranty does not cover normal maintenance, transportation or installation charges for replacement parts or any other service calls or repairs. This warranty DOES NOT cover the complete IN-FORCER if it is operative, except for the defective part.

Tjernlund Products, Inc. will issue credit or provide a free part to replace one that becomes defective during the one year warranty period. If the part is over 18 months old, proof of date of the installation in the form of the contractor sales / installation receipt is necessary to prove the unit has been in service for under one year. All receipts should include the date code of the IN-FORCER to ensure that the defective component corresponds with the complete unit. This will help preclude possible credit refusal.

- 1.) Follow troubleshooting guide to determine defective component. If unable to determine faulty component, contact your Tjernlund distributor or Tjernlund Products Technical Customer Service Department at 1-800-255-4208 for troubleshooting assistance.
- 2.) After the faulty component is determined, return it to your Tjernlund distributor for replacement. Please include IN-FORCER date code component was taken from. The date code is located on the Electrical Box coverplate. If the date code is older than 18 months you will need to provide a copy of the original installation receipt to your distributor. Credit or replacement will only be issued to a Tjernlund distributor after the defective part has been returned prepaid to Tjernlund.

COVERED PARTS

Motor Proving Switch Relay Indicator Light Blower Wheel

WHAT IS NOT COVERED

- Product installed contrary to our installation instructions
- Product that has been altered, neglected or misused
- Product that has been wired incorrectly
- Product that has been damaged by a malfunctioning or mistuned burner
- Any freight charges related to the return of the defective part
- Any labor charges related to evaluating and replacing the defective part

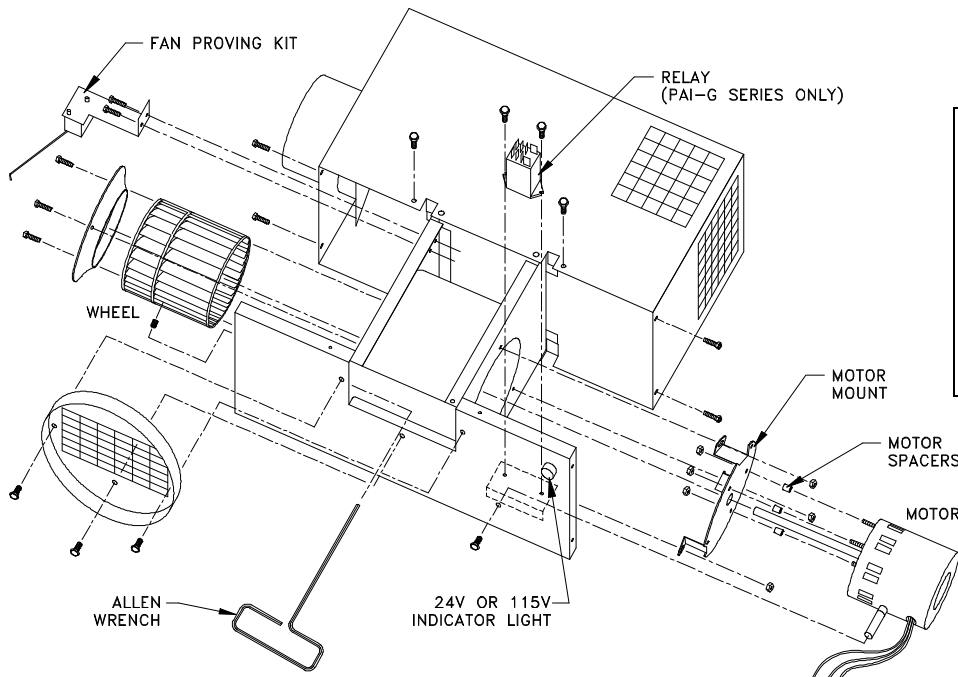
TJERNLUND LIMITED ONE YEAR WARRANTY

Tjernlund Products, Inc. warrants to the original purchaser of this product that the product will be free from defects due to faulty material or workmanship for a period of (1) year from the date of original purchase or delivery to the original purchaser, whichever is earlier. Remedies under this warranty are limited to repairing or replacing, at our option, any product which shall, within the above stated warranty period, be returned to Tjernlund Products, Inc. at the address listed below, postage prepaid. THERE ARE NO WARRANTIES WHICH EXTEND BEYOND THE DESCRIPTION ON THE FACE HEREOF, AND TJERNLUND PRODUCTS, INC. EXPRESSLY DISCLAIMS LIABILITY FOR INCIDENTAL OR CONSEQUENTIAL DAMAGES ARISING FROM THE USE OF THIS PRODUCT. THIS WARRANTY IS IN LIEU OF ALL OTHER EXPRESS WARRANTIES AND NO AGENT IS AUTHORIZED TO ASSUME FOR US ANY LIABILITY ADDITIONAL TO THOSE SET FORTH IN THIS LIMITED WARRANTY. IMPLIED WARRANTIES ARE LIMITED TO THE STATED DURATION OF THIS LIMITED WARRANTY. Some states do not allow limitation on how long an implied warranty lasts, so that limitation may not apply to you. In addition, some states do not allow the exclusion or limitation of incidental or consequential damages, so that above limitation or exclusion may not apply to you. This warranty gives you specific legal rights and you may also have other rights which may vary from state to state. Send all inquiries or products requiring warranty work to Tjernlund Products, Inc. 1601 9th Street, White Bear Lake, MN 55110-6794 Phone (651) 426-2993 • Fax (651) 426-9547 or email us at fanmail@tjfans.com.

IN-FORCER REPLACEMENT PARTS LIST

MOTOR KIT	950-3022
PAI-1 WHEEL KIT	950-0451
PAI-2 WHEEL KIT	950-0457
FAN PROVER KIT	950-0452
RELAY KIT	950-1040
24V INDICATOR LIGHT	950-0455
115V INDICATOR LIGHT KIT	950-0456

IN-FORCER ISOMETRIC PARTS BREAKDOWN



NOTE:
For pull-down servicing feature of IN-FORCER, remove six (6) screws from bottom front and sides of IN-FORCER while holding blower assembly firmly. Carefully slide blower assembly down until stops hold in place.

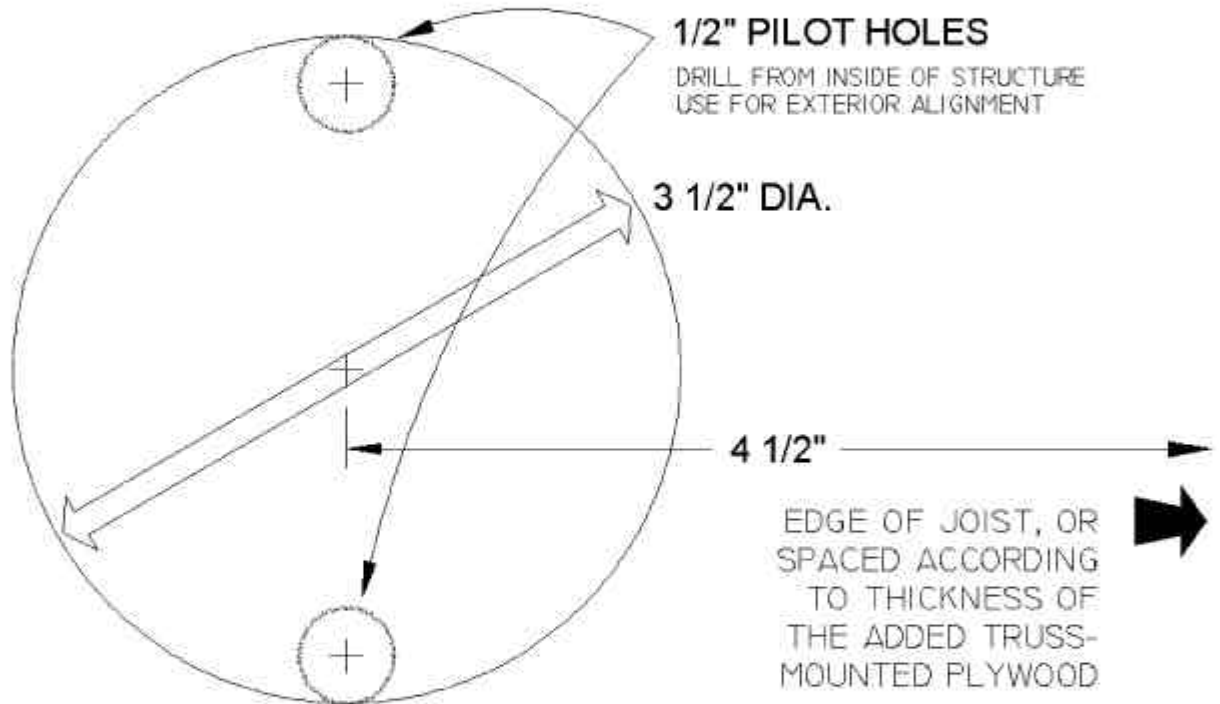


BOTTOM OF SUB FLOOR



PVC Hole Template

(FOR THE PROPER USE OF THE TEMPLATE,
SEE IN-FORCER™ INSTALLATION INSTRUCTIONS)



IF JOISTS ARE 8", FOLD ON THIS DASHED LINE



IF JOISTS ARE 10", FOLD ON THIS DASHED LINE



(CUT ON DASHED LINE TO REMOVE TEMPLATE)

